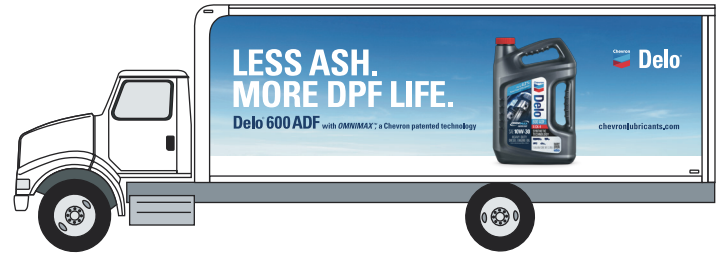
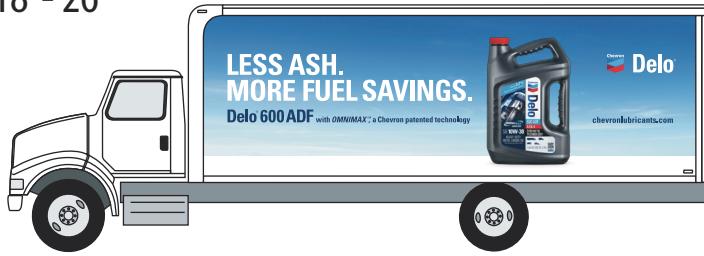


DELO 600 ADF TRUCK GRAPHICS ORDER FORM



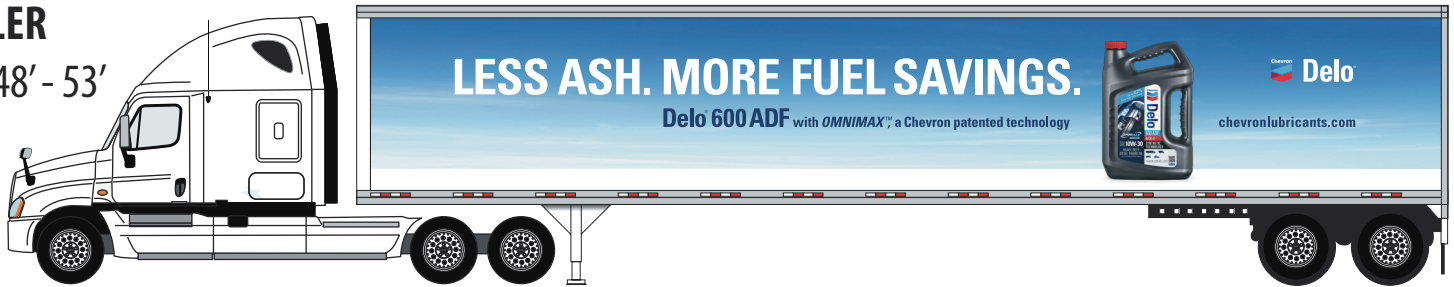
BOX TRUCK

Sizes 18' - 26'



TRAILER

Sizes 48' - 53'



REAR



ORDERING PROCESS

Complete order form and **fax** it to 800-967-3986 or **Email** mattw@mountain-cg.com

Upon receipt we will send you a confirmation and address questions regarding the order.

DELO 600 ADF TRUCK GRAPHICS ORDER FORM



BOX TRUCK

TRAILER

REAR

1A



No Logo



1B



Marketer Logo



1C



Marketer/1st Source Logo



BOX TRUCK

TRAILER

REAR

2A



No Logo



2B



Marketer Logo



2C



Marketer/1st Source Logo



18' BOX TRUCK

\$1,794

(plus or minus a cost of \$112 per linear foot)

26' BOX TRUCK

\$2,026

(plus or minus a cost of \$112 per linear foot)

48' TRAILER

\$2,603

(plus or minus a cost of \$125 per linear foot)

53' TRAILER

\$2,718

(plus or minus a cost of \$125 per linear foot)

DELO 600 ADF TRUCK GRAPHICS ORDER FORM



Fax to: 800-967-3986 or Email to: mattw@mountain-cg.com

Please fill out this form and send via email. Upon receipt of your form, we will send you an acknowledgment of receipt and address any questions. We will then generate layouts and pricing.

DeLo 600 ADF 1A 1B 1C 2A 2B 2C

Contact Information

Marketer Name: _____

Contact Name: _____

Address: _____

Phone #: _____

Cell Phone#: _____

Email Address: _____

Shipping Address (no P.O. boxes)

Company Name: _____

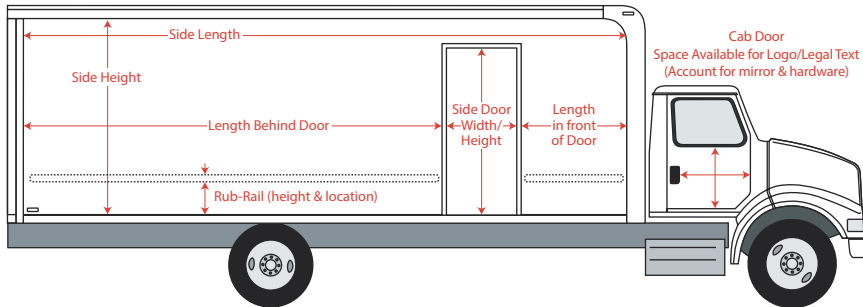
Address Line 1: _____

Address Line 2: _____

City, State, Zip: _____

Ship to Attn of: _____

Do not include frame when measuring. Please email straight on photos of all 4 sides of the vehicle / trailer.



Box Truck Side Information

A Side graphic length _____

B Side graphic height _____

C Side Door width/height _____

D Behind side door _____

D Front side door _____

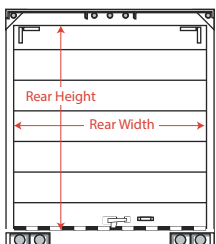
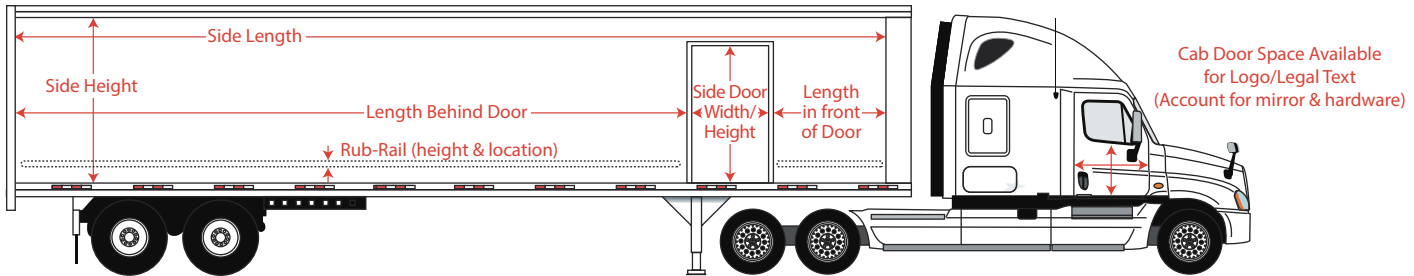
Number of side doors _____

Side door on which side? Passenger Driver

Trailer Side Information

A Side graphic length _____ B Side graphic height _____ C Side Door width/height _____

D Behind side door _____ D Front side door _____ Number of side doors _____ Side door on which side? Passenger Driver



Rear Information

Make / Model & Year of your vehicle _____ Unit # or tag # _____

Rear Door Type: roll up / swing / none Rear Door Width _____ Rear Door Height _____

Is there a liftgate that covers part of the rear door? Yes No If yes to liftgate, provide height above liftgate _____