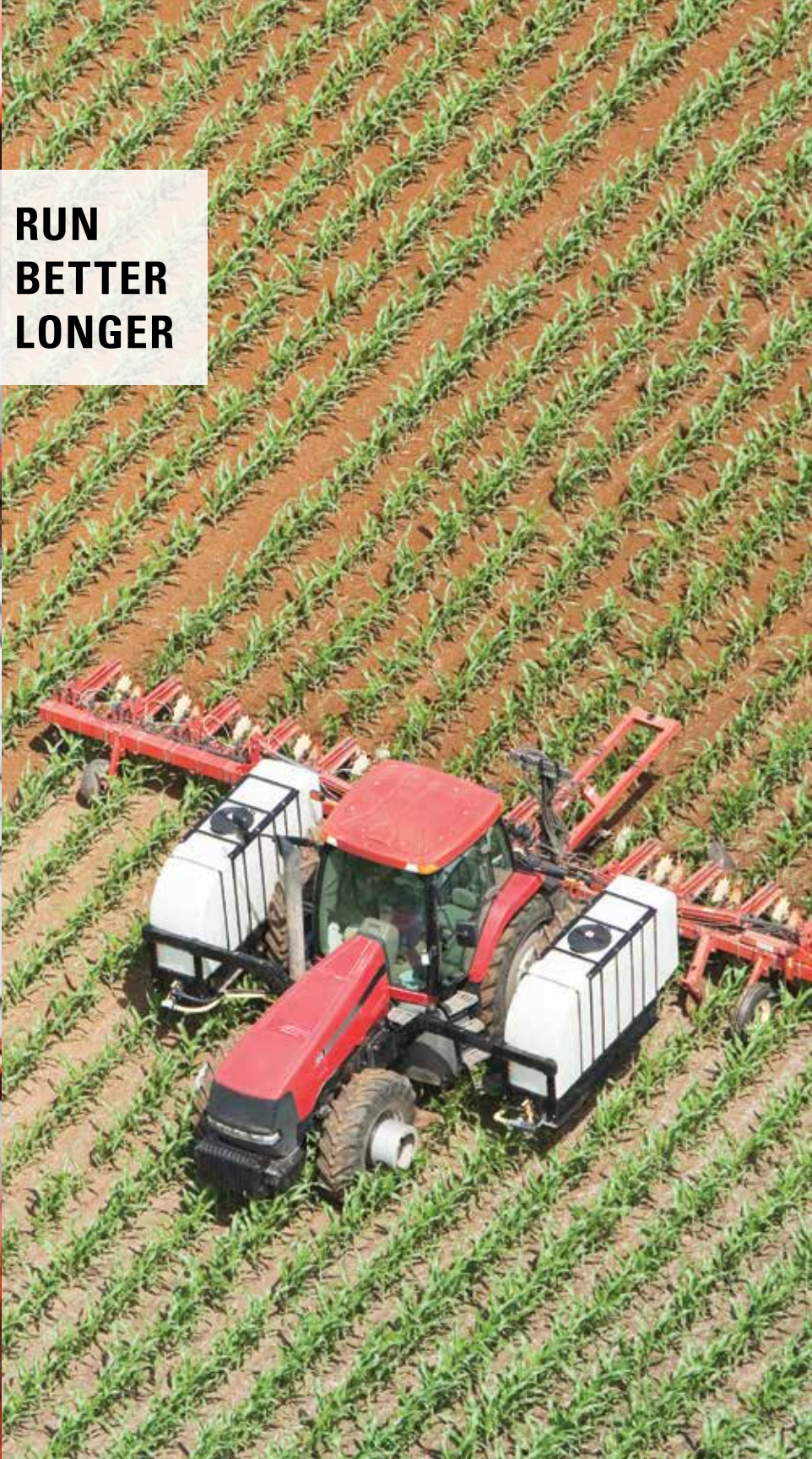
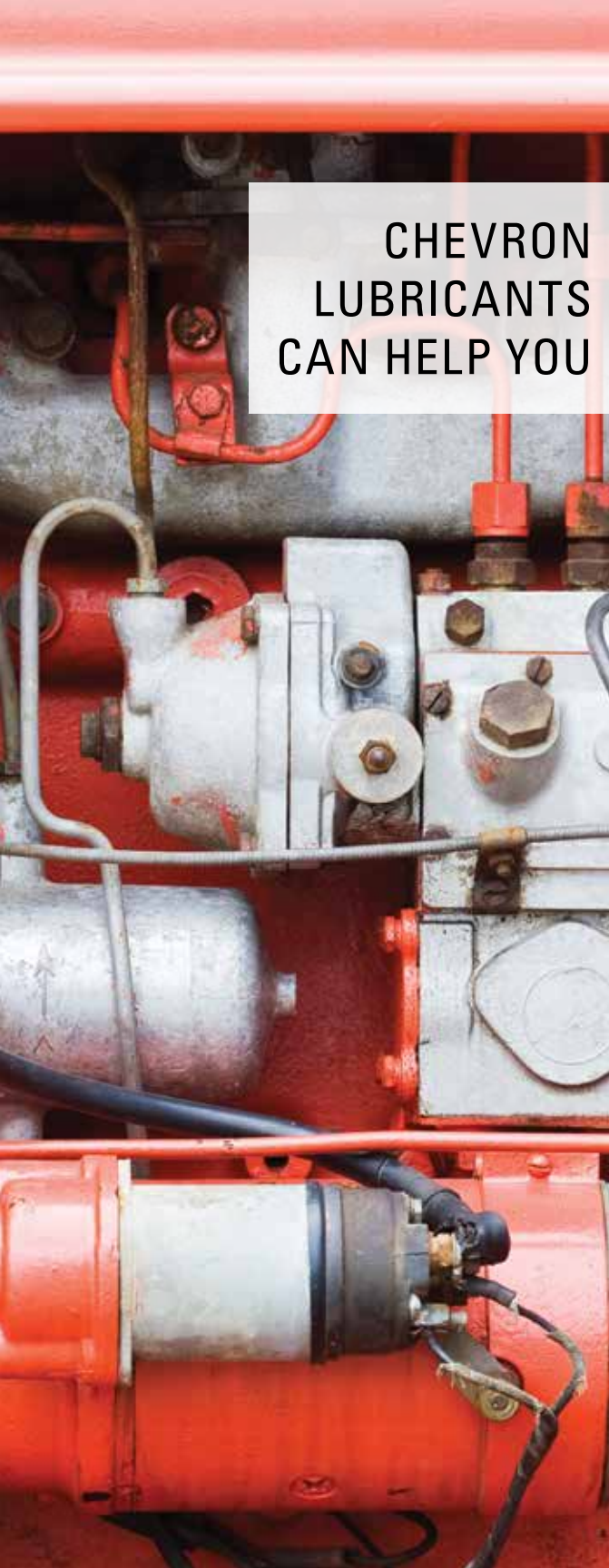




AGRICULTURE

CHEVRON
LUBRICANTS
CAN HELP YOU
**RUN
BETTER
LONGER**



LUBRICANTS FOR THE AGRICULTURE INDUSTRY

Yield Greater Reliability

Chevron lubricants are formulated to help your agriculture equipment perform year-round, from planting season to peak harvest. Chevron's commitment of reliability extends beyond your equipment. Every world-class lubricant, like those in our Delo® family of products, is backed by expert knowledge in the agriculture industry. Our focused expertise will help guide you through your biggest equipment performance challenges and unique agriculture operational needs.

Rely on Chevron to help you reach the potential to:

- Maximize Engine Durability
- Extend Service Protection
- Improve Supplier Performance
- Improve Fuel Efficiency



Chevron 1000 THF



REACH A NEW LEVEL OF RELIABILITY WITH THE RBL™ PROGRAM

Reliability matters at every step of the value chain. Chevron specialists can help add even more value to your lubrication program by providing expertise along with world-class products and targeted services—all working in sync to help you get the most out of your equipment and operations, time and time again.

To learn more, contact your marketer.



CHEVRONLUBRICANTS.COM/RBL

Delo® Protection for Agricultural Equipment

Engine Crankcase

Delo 400 LE Synthetic SAE 5W-40

Delo 400 LE SAE 15W-40

Delo 400 XLE Synblend SAE 10W-30

Delo 400 XLE Synblend SAE 15W-40

Delo 400 SD Severe Duty SAE 15W-30**

Hydraulic System

Chevron 1000 THF

(For units with common THF reservoirs)

Chevron Synthetic All Weather THF

(For units with common THF reservoirs)

Rando HDZ

Rando HD

Coolant System

Delo ELC Antifreeze/Coolant

Delo XLC Antifreeze/Coolant

Bearings

Delo Grease ESI

Delo Heavy Duty EP

Delo Grease EP

Transmissions (Manual & Automatic)

Chevron 1000 THF *(For units with common THF reservoirs)*

Chevron Synthetic All Weather THF *(For units with common THF reservoirs)*

Delo TorqForce MP *(For TO-4 or Allison C4 Fluid Requirements)*

Delo TorqForce SAE 30 *(For TO-4 or Allison C4 Fluid Requirements)*

Differentials & Gear Drives

Chevron 1000 THF

(For units with common THF reservoirs)

Chevron Synthetic All Weather THF

(For units with common THF reservoirs)

Delo TorqForce SAE 50

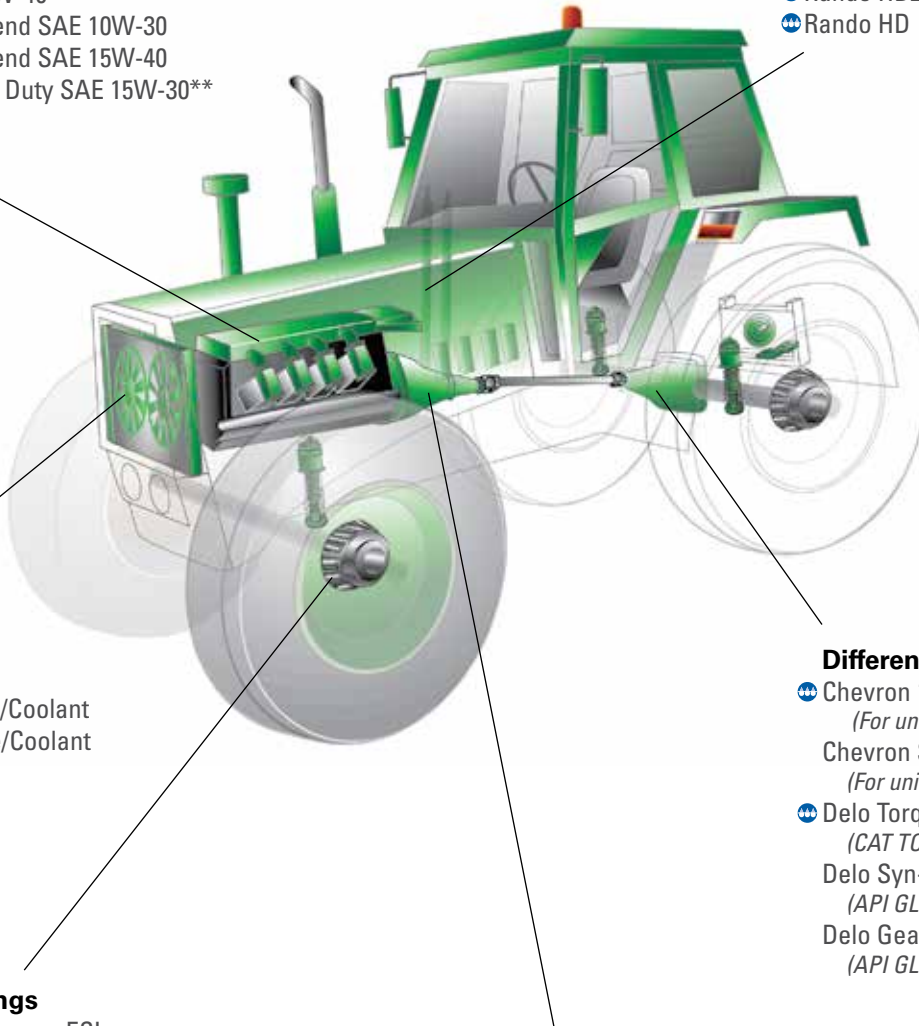
(CAT TO-4)

Delo Syn-Gear XDM SAE 75W-90

(API GL-5/MT-1)

Delo Gear ESI SAE 80W-90

(API GL-5/MT-1)



Available as ISOCLEAN® Certified

**Severe duty applications typically have lower drain intervals relative to other duty cycles. See OEM recommendations for drain interval recommendations.

The product recommendations provide general guidelines for use in tractors. All tractor manufacturers have different coolant and lubricant requirements and recommendations. It will be important to contact a Chevron representative or refer to the Original Equipment Manufacturer manual to confirm the proper product is used for the application. You may contact our LUBETEK organization (800-LUBE-TEK) for confirmation of specific OEM specifications.

ENGINE OILS	GRADES
Delo® 400 LE Synthetic For naturally aspirated and turbo-charged, four-stroke diesel engines and four-stroke gasoline engines, in which the API CJ-4 or SM service categories are recommended.	SAE 5W-40
Delo 400 LE Synthetic For naturally aspirated and turbo-charged four-stroke diesel engines and four-stroke gasoline engines in which the API CJ-4 or SN service categories are recommended.	SAE 5W-30
Delo 400 XLE Synblend For naturally aspirated and turbo-charged four-stroke diesel engines and four-stroke gasoline engines in which the API CJ-4 or SN service categories are recommended.	SAE 15W-40
Delo 400 XLE Synblend For naturally aspirated and turbo-charged four-stroke diesel engines and four-stroke gasoline engines in which the API CJ-4 or SM service categories are recommended.	SAE 10W-30
Delo 400 LE Specially formulated for low emission diesel engines with diesel particulate filters and burning Ultra Low Sulfur Diesel fuel, in which the API CJ-4 or SM service category is recommended.	SAE 15W-40
Delo 400 SD For naturally aspirated and turbo-charged four-stroke diesel engines and four-stroke gasoline engines in which the API CJ-4 or SM service categories are recommended.	SAE 15W-30

TRANSMISSION FLUIDS	GRADES
Chevron 1000 THF For use in transmissions, final drives, wet brakes, and hydraulic systems of tractors and other equipment employing a common fluid reservoir.	
Delo TorqForce™ Designed for use in transmissions, final drives and hydraulic systems. Meets requirements of Allison C-4 and Caterpillar TO-4. Recommended for Dana Powershift, Komatsu KES 07.868.1 and Komatsu Dresser.	SAE 10W, 30, 50, 60

TRANSMISSION FLUIDS	GRADES
Chevron Synthetic All-Weather THF ISOCLEAN® Certified Lubricant A unique, high quality, multifunctional tractor hydraulic fluid, specially formulated for use in transmissions, final drives, wet brakes, and hydraulic systems of tractors and other equipment employing a common fluid reservoir. Chevron ISOCLEAN Certified Lubricants have been certified to meet specified ISO Cleanliness standards at point of delivery using industry leading filtration and testing technology. ISOCLEAN Certified products are the first step for contamination control and maximizing component life.	
Delo Syn-Trans HD A heavy-duty truck manual transmission fluid recommended for service fill of heavy duty manual transmissions, such as those manufactured by Eaton, Meritor and Mack.	SAE 50

HYDRAULIC OILS	GRADES
Clarity® Synthetic Hydraulic Oil AW Chevron's best synthetic ashless AW hydraulic oils are designed to give maximum protection, help prevent formation of varnish, as well as promote long equipment and oil life and help improve fuel efficiency. Clarity Synthetic AW hydraulic oils can deliver all these benefits in both mobile and stationary hydraulic equipment in environmentally sensitive areas.	ISO 32, 46, 68
Clarity Hydraulic Oil AW Premium ashless hydraulic oils that provide long oil and equipment life to help prevent varnishing with very low acute aquatic toxicity.	ISO 22, 32, 46, 68, 100
Rando® HDZ Premium AW hydraulic oils formulated with premium base oil technology designed for excellent protection while providing some energy efficiency relative to traditional hydraulic oils.	ISO 15, 22, 32, 46, 68, 100
Rando HD Designed to give robust protection to hydraulic pumps in mobile and stationary equipment.	ISO 32, 46, 68
ISO 100, 150, or 220 are often recommended for hydraulic equipment reduction gears where EP is not required, reciprocating air compressors, plain and anti-friction bearings, and circulating oil systems.	ISO 100, 150, 220

Always confirm that the product selected is consistent with the original equipment manufacturer's recommendation for the equipment operating conditions and customer's maintenance practices.

GREASES	GRADES
<p>Delo® Heavy Duty Synthetic Moly 5% EP For demanding off-road farming applications with excellent performance throughout a wide temperature range, especially where very cold climates are encountered.</p>	NLGI 1
<p>Delo Heavy Duty EP, Moly 3% EP, and Moly 5% EP For use in a wide variety of off-road, farming and construction applications including all types of heavy-duty earth moving machinery.</p>	NLGI 1, 2
<p>Delo Grease ESI® Extended service, extreme duty grease for both on-highway and light-duty (i.e. tractors, cherry pickers, etc.) and off-road vehicle applications.</p>	NLGI 2
<p>Delo Greases EP For extreme duty in a wide variety of on- and off-highway vehicle and equipment applications.</p>	NLGI 00, 0, 1, 2

GEAR LUBRICANTS	GRADES
<p>Delo Syn-Gear HD For rear axles and differentials in over-the-road and off-road vehicles when operating under severe conditions and extreme environments where API GL-4, GL-5 or MT-1 oil is recommended.</p>	SAE 75W-90
<p>Delo Gear ESI For automotive gears operating under severe temperature and load conditions where API GL-4, GL-5, or MT-1 is recommended and when extended drain capabilities are desired.</p>	SAE 80W-90, 85W-140

COOLANTS	CONCENTRATION
<p>Delo ELC Antifreeze/Coolant For use in a wide variety of cooling system applications that require nitrite including on-road, off-road and stationary engine applications.</p>	Concentrate Premixed 50/50 Premixed 60/40
<p>Delo XLC Antifreeze/Coolant For use in a wide variety of cooling system applications that require a nitrite-free product including on-road, off-road and stationary engine applications.</p>	Concentrate Premixed 50/50



Always confirm that the product selected is consistent with the original equipment manufacturer's recommendation for the equipment operating conditions and customer's maintenance practices.

ISOCLEAN Certified Lubricants

Particle contamination is the number one cause of lubricant related wear in equipment components. Starting with a lubricant that is certified to meet the equipment manufacture's fluid cleanliness requirement is the vital first step in maximizing equipment component service life.

Chevron ISOCLEAN Certified Lubricants have been engineered to meet the required ISO Cleanliness fluid requirements at the point of delivery to minimize the challenges with on-site filtration.

Chevron's network of ISOCLEAN Certified Lubricant providers ensure target ISO Cleanliness codes are on specification at point of delivery as well provide solutions for on-site management of fluid cleanliness.



Chevron offers a wide range of ISOCLEAN Certified Lubricants for the agriculture industry including:

- Delo® 400 LE SAE 15W-40
- Delo TorqForce
- Chevron Final Drive SAE 60
- Clarity® Synthetic AW
- Clarity AW
- Rando® HDZ
- Rando HD
- Meropa®
- GST®
- Cetus® DE
- Cetus HiPerSyn
- Cetus PAO
- Chevron 1000THF



The RBL Program can help your equipment and operations Run Better Longer.

THE PROCESS

1. Understand Your Business Drivers

We need to understand your operation's challenges before we can recommend a product or service program.

We can help you improve:

- Equipment Uptime Life
- Maintenance Labor Availability
- Fuel Efficiencies
- Supplier Performance

Additionally, we can help you to:

- Increase Component Service
- Minimize Fluid and Filter Usage
- Learn from Best Practices



2. Develop the Right RBL Program

A Chevron Lubrication Specialist can conduct our Best-in-Class (BIC) Assessment to identify specific strengths and opportunities in your current lubrication program. We can develop a plan to help you achieve your business goals.

The five focus areas are:

- Product Selection
- Product Integrity
- Optimized Lubrication Intervals
- Lubrication Program Management
- Inventory Management and Vendor Performance

The BIC Assessment can be conducted on a routine basis to track your progress, identify new areas of opportunity and help move your organization toward best-in-class performance.

3. Document the Opportunity

After completing the BIC Assessment, we use our calculators to estimate the benefit your company could achieve by implementing our RBL Program. We can develop a transition plan to the RBL Program that includes creating a scorecard to track results and help identify appropriate resources.

4. Execute the RBL Program

Our Chevron Lubrication Specialists can provide the expert knowledge to help your operation and equipment Run Better Longer with your new RBL Program. We can work with you to properly implement on time and in full the recommended products, services and equipment.

5. Track and Document the Results

On an agreed-upon regular schedule, we will review the RBL Program scorecard to track and document the results. We can help identify additional action items or new opportunities to target.

Chevron's RBL Program is our commitment to reliability to help you increase equipment uptime and component service life.



**RUN
BETTER
LONGER**



Chevron Reliability — The RBL™ Program is our commitment of business support and reliability: Chevron's lubrication expertise combined with superior products and a tailored service program work together to help your business Run Better Longer.

A **Chevron** company product

chevronlubricants.com